

REV	更改日期	变更内容	修改
27/01/05	DATE	MODIFICATION	DRAWN

SPECIFICATIONS

1. ELECTRICAL:

UL APPLICATIONS: 250 VOLTS AC MAX., AT 2 AMPS.
 DIELECTRIC WITHSTANDING VOLTAGE: 500 VOLTS AC.
 INSULATION RESISTANCE: 100 M Ω .
 TERMINATION: RESISTANCE 20m Ω MAX AFTER ENVIRONMENTAL TESTING.

2. MECHANICAL:

CABLE-TO-PLUG TENSILE STRENGTH: 19.6N/PCS MIN.
 DURABILITY: 200 MATING CYCLES.
 3. MATERIAL & FINISH:
 HOUSING: POLYCARBONATE: UL94V-0 OR UL94V-2.
 COLOR: TRANSPARENT OR OTHER COLOR ARE AVAILABLE.
 CONTACT BLADE: PHOSPHOR BRONZE.
 CONDUCTOR: STRANDED & SOLID WIRE. 24AWG, 26 AWG.
 GOLD PLATING: 3u"~50u" ARE AVAILABLE.

规范

1. 电器:

UL应用最大250V OLTS AC.
 介质耐电压伏特数: 500V OLTS AC.
 绝缘阻抗: 100百万欧姆.
 终端阻抗: 在环境测试后最大可承受20微欧姆终端阻抗.

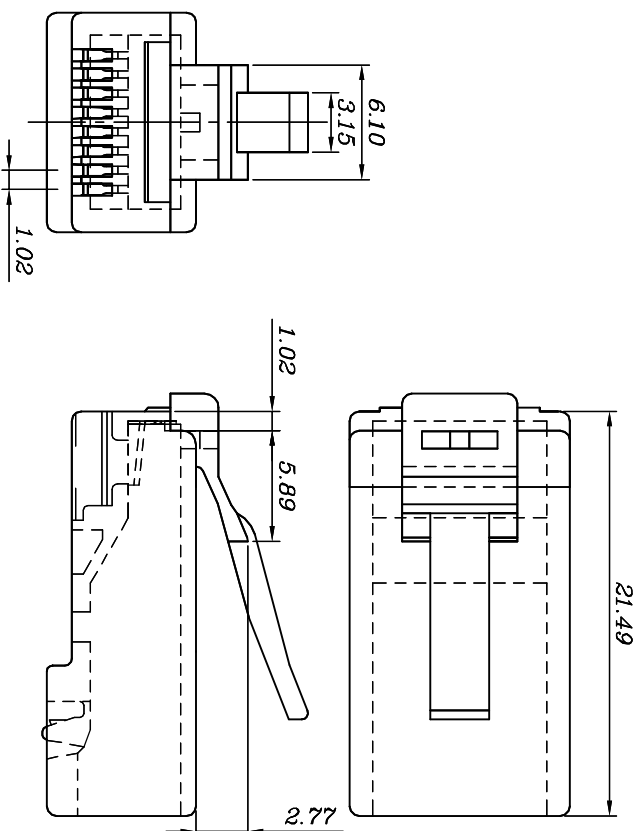
2. 机构

拉力测试: 至少19.6N/PCS.
 耐力测试: 至少200次之插拔测试.

3. 材质表面处理

塑胶壳: 聚碳酸酯, UL-94V-0 or UL94V-2.
 颜色: 透明, 或者其他颜色亦可.
 金片: 磷铜片.
 导体: 多股线 & 单股线. 24AWG, 26AWG.
 镀金厚度: 3u"~50u", 皆可提供.

客户用产品图



ITEM: _____

BLADE:	E	Y	Z	A	YL	ZL
Drawing						
Mark			✓			
GOLD PLATING	3u"	6u"	15u"	30u"	50u"	
Mark				✓		
					CABLE TYPE	ROUND
					Mark	✓
						FLAT
						✓

EXW 宁波卓新通讯插件有限公司 NINGBO EXCELLENCE COMMUNICATED CONNECTOR CO.,LTD		材 质 MATERIAL	图 号 DWG NO.
DIMENSION IN mm (Inch) TOLERANCE UNLESS OTHERWISE SPECIFIED		PC	PLUG-026
X \pm 0.20	X \pm 5°	名称 TITLE	CAT6(0.35)L UTP
.XX \pm 0.10	.XX \pm 2°	制 图 DRAWN	Lucia
审 核 APPROVAL	核 对 CHECKED	比 例 SCALES	5/2
		张 数 SHEET	1/1
		角 注 PROL	
		更 改 REV	E

1 2 3 4 5 6 7

1 2 3 4 5 6 7

1 2 3 4 5 6 7

1 2 3 4 5 6 7